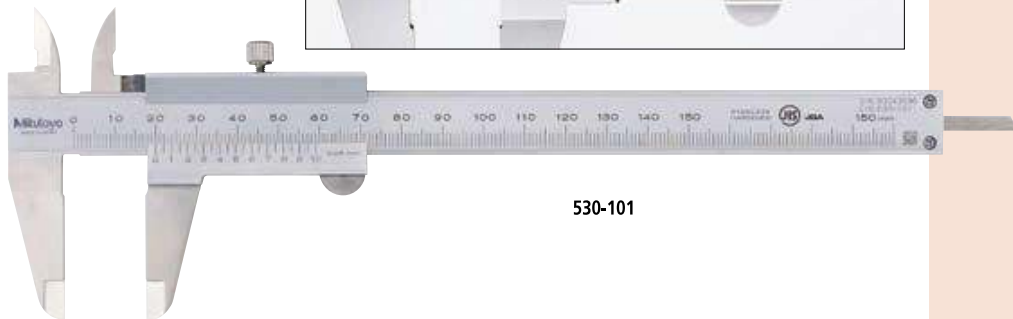
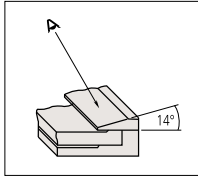


Calipers

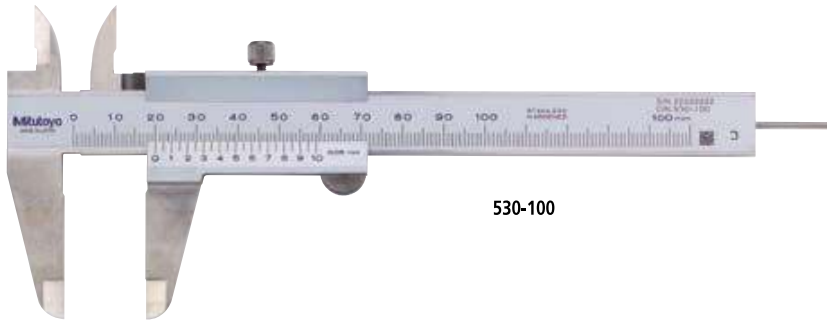
An industry standard in measuring tools

Vernier Caliper 530 Series — Standard model

- Plain and basic design.
- Stepped graduation face prevents dust ingress between the main scale and slider.
- The small vernier face angle (14°) provides easy reading.
- Can measure outside and inside dimensions, depth, and steps.
- Carbide-tipped jaw calipers are optimal for rough finished parts, castings, grinding stones, etc.
- Decimal and fractional graduated scales (metric/inch and inch models only).

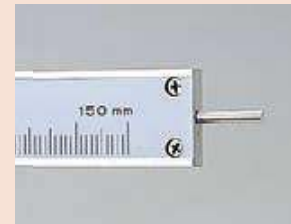


530-101



530-100

D



530-102 (Round depth bar type)



530-320 (Carbide-tipped jaw type)

DIMENSIONS

Unit: mm

Range	Outside jaw thickness
0 - 100mm	3
0 - 150mm	
0 - 200mm	
0 - 300mm	3.8
0 - 600mm	6
0 - 1000mm	8

Range	A	B	D	E	F	H	L
0 - 100mm	17	21.5	40	53.5	30	16	182
0 - 150mm	17	21.5	40	53.5	30	16	229
0 - 200mm	20.5	25	50	53.5	30	16	288
0 - 300mm	22	27.5	64	66.5	36	20	404
0 - 600mm	38	47	90	89	50	25	780
0 - 1000mm	50	60	130	111	61	32	1240

* Code No.530-100 and No.530-102 incorporate a round depth bar (ø1.9mm).
The depth bar shown in the illustration above is a different type.

Technical Data

Accuracy: $\pm 0.05\text{mm}$ ($\leq 200\text{mm}$), $\pm 0.08\text{mm}$ ($\leq 300\text{mm}$)
 $\pm 0.10\text{mm}$ ($\leq 600\text{mm}$), $\pm 0.15\text{mm}$ ($\leq 1000\text{mm}$)
 High accuracy type:
 $\pm 0.03\text{mm}$ ($\leq 200\text{mm}$), $\pm 0.04\text{mm}$ ($\leq 300\text{mm}$)
 Graduation: 0.05mm , 0.05mm (1/128") or $.001"$ (1/128")
 High accuracy type:
 0.02mm or 0.02mm (.001")

SPECIFICATIONS

Metric			
Order No.	Range	Depth bar	Remarks
530-100	0 - 100mm	ø1.9mm rod	—
530-102			—
530-101	0 - 150mm	Blade	—
530-320			Carbide-tipped jaws for outside measurement
530-335			Carbide-tipped jaws for outside and inside measurement
530-122*			High accuracy model: $\pm 0.03\text{mm}$
530-108	0 - 200mm	Blade	—
530-321			Carbide-tipped jaws for outside measurement
530-123*			High accuracy model: $\pm 0.03\text{mm}$
530-109	0 - 300mm	Blade	—
530-322			Carbide-tipped jaws for outside measurement
530-124*			High accuracy model: $\pm 0.04\text{mm}$
530-501	0 - 600mm	—	—
530-502	0 - 1000mm	—	—

* Graduation: 0.02mm

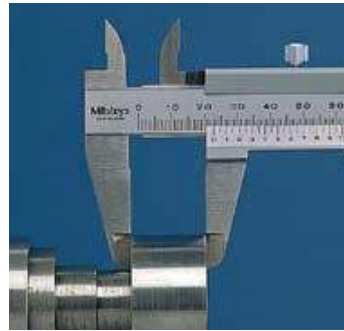
Metric/Inch with metric/inch double scale				
Order No.	Range	Depth bar	Inch graduation	Remarks
530-104	0 - 150mm	Blade	1/128"	—
530-316			1/128"	Clamping screw below the slider
530-312*			.001"	High accuracy model: $\pm 0.03\text{mm}$
530-114	0 - 200mm	Blade	1/128"	—
530-118*			.001"	High accuracy model: $\pm 0.03\text{mm}$
530-115	0 - 300mm	Blade	1/128"	—
530-119*			.001"	High accuracy model: $\pm 0.04\text{mm}$

* Graduation: 0.02mm

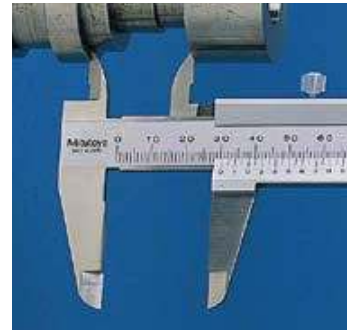
Inch with inch/inch double scale				
Order No.	Range	Depth bar	Inch graduation	Remarks
530-105	0 - 6"	Blade	1/128"	—
530-116	0 - 8"			

Measurement Applications

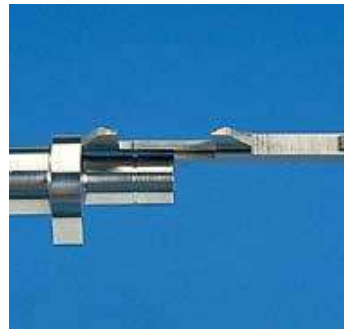
1. Outside measurement



2. Inside measurement



3. Step measurement



4. Depth measurement

